



Control Box Functionality Overview

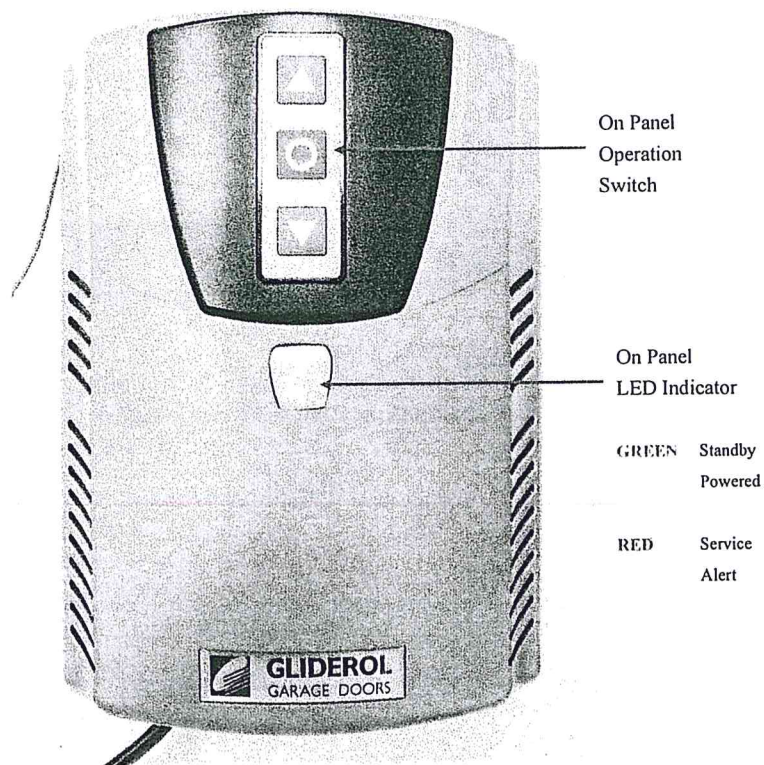
2010



Glidermatic IND[®] Control Box Functionality Overview

Revision: 26 July, 2010

Control Box Housing

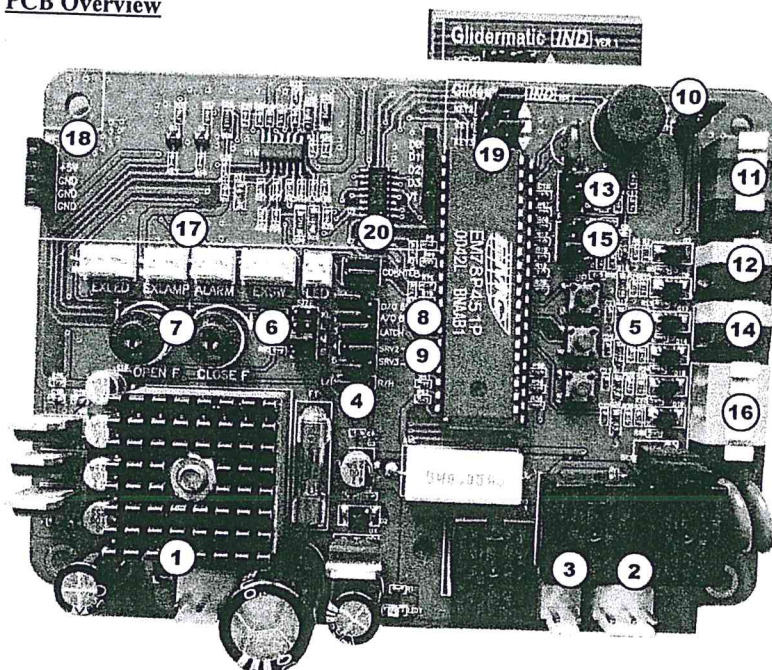







Glidermatic IND[®] Control Box Functionality Overview

Revision: 26 July, 2010

PCB Overview













1	TR		<u>Transformer Connector</u>
2	MOTOR		<u>Motor Drive Unit Connector</u>
3	MANUAL		<u>Manual Release Switch Connector</u>





Glidermatic **IND** Control Box Functionality Overview

Revision: 26 July, 2010


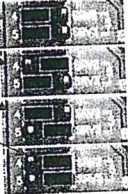

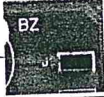


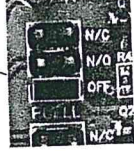
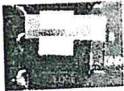
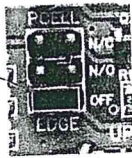
4	DRIVE		<u>Motor Drive Handing</u> Factory default: R/H 
5	UP STOP DOWN		<u>Door Operation Buttons</u>
6	SIZE		<u>Door Size Selection Jumper</u> Factory default: M 
7	OPEN F CLOSE F		<u>Auto Reverse (Overload) Sensitivity Adjustment Pots</u>
8	1. D/C 6' 2. A/C 60" 3. LATCH <i>*Requires LATCH ON and connection of a safety device</i>		<u>1. Delayed Close</u> OFF : Factory default  ON : Warning beeps for 6 seconds before closing
			<u>2. Automatic Close</u> OFF : Factory default:  ON : Automatic Closing after 60 seconds, with 10 seconds warning beeps before closing
			<u>3. Latch</u> OFF : Factory Default – Constant contact to close  ON : Enable momentary contact to close





Glidermatic **IND** Control Box Functionality Overview

Revision: 26 July, 2010

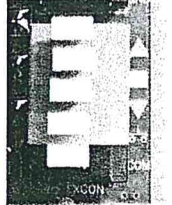
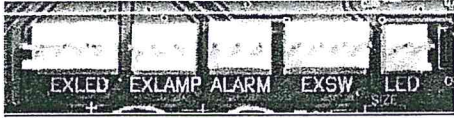
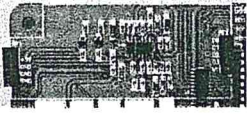
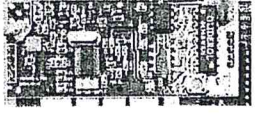
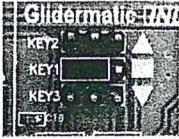
9	<p>4. SRV2 5. SRV3</p> <p><i>*External handheld device required to read and reset cycle count</i></p>		<p><u>4. & 5. Service Alert</u> OFF: Factory Default ON SRV2: Alert after 2,000 cycles ON SRV3: Alert after 3,000 cycles ON Both : Alert after 5,000 cycles</p> <p>On panel RED LED flashes and 3 beeps signal upon door operation, to alert service is due, until reset is performed.</p>	
10	<p>BZ</p>		<p><u>Buzzer</u> ON: Factory Default OFF: Remove jumper to turn buzzer off</p>	
11	<p>EXPOWER</p>		<p><u>External Power Supply</u> Individual 12V and 24V supply terminals – 300mA max.</p>	
12	<p>PCELL</p>		<p><u>Photo Electric Cell</u> OFF: Factory Default N/C or N/O: When connected, select the corresponding Photo Electric Cell output type at (13)</p> <ul style="list-style-type: none"> ◆ Open fully upon activation during closing 	<p>13</p> 
14	<p>EDGE</p>		<p><u>Sensing Edge</u> OFF: Factory Default N/C or N/O: When connected, select the corresponding Sensing Edge output type at (15)</p> <ul style="list-style-type: none"> ◆ Reverse 3 seconds upon activation during closing ◆ Stop upon activation during opening 	<p>15</p> 





Glidermatic IND[®] Control Box Functionality Overview

Revision: 26 July, 2010

16	EXCON		<p><u>External Push Button Connections</u></p> <p>▼ ■ ▲ 3 buttons type to OPEN/STOP/CLOSE</p> <p>↷ 1 single button type to operate in sequence</p>		
17					
	EXLED	EXLAMP	ALARM	EXSW	LED
	External Door Position Signal Connector	External Light Connector	External Alarm Siren Connector	Panel Push Buttons Connector	Panel LED Indicator Connector
<i>Requires dual relay interface board</i>	<i>Requires single relay interface board</i>				
18	RF		<p><u>Plug-in Receiver</u></p>		
19	<p>KEY</p> <p><i>Requires Plug-In Receiver</i></p>		<p><u>Transmitter Key Setting</u></p> <p>Factory Default: Key 1 (center – 2 pins on left)</p> <p>For 3 button control ▼ OPEN / ■ STOP / ▲ CLOSE, jumper select all two pins on the right.</p>		

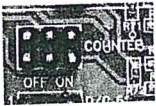
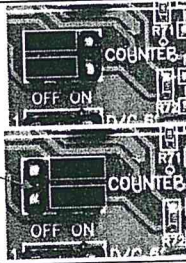




Glidermatic IND[®] Control Box Functionality Overview

Revision: 26 July, 2010

Handheld Service Device

20	COUNTER		<p>COUNTER</p> <p>OFF: Factory Default</p> <p>ON: Jumper ON to enable EXLED connection to Handheld Service Device</p>	
----	---------	---	--	---

